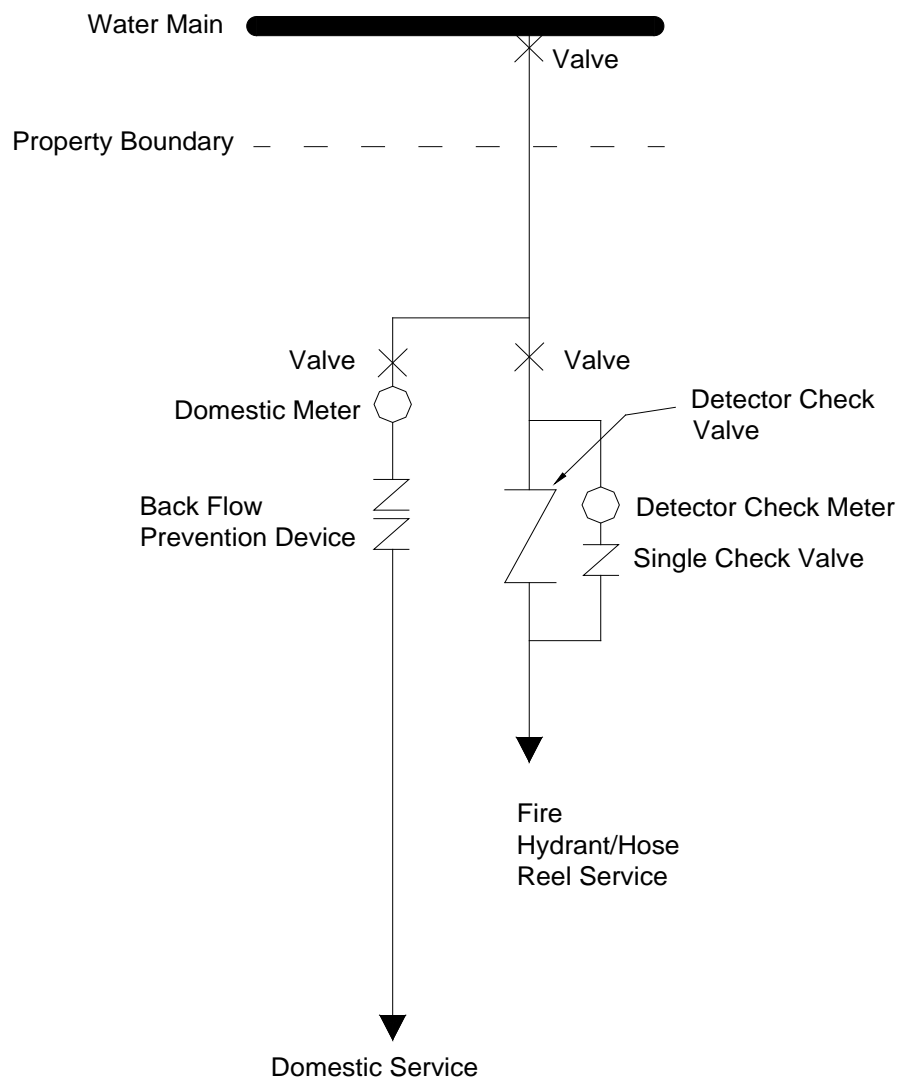




**FIRE HYDRANT/HOSE  
REEL & DETECTOR CHECK  
VALVE 80mm - 150mm**



*Not to Scale*

Figure 10.2